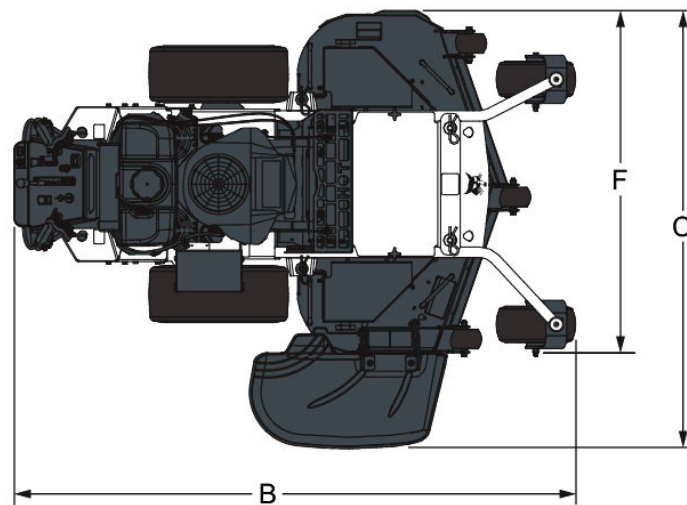
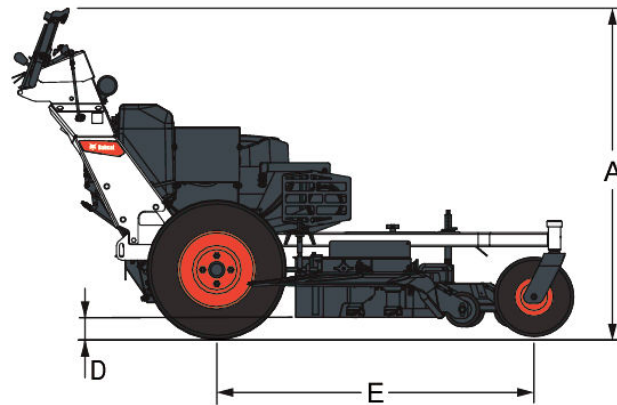


WB700 – 48"
Dimensions


(A) Height	1105.0 mm
(B) Overall Length	1981.0 mm
(C) Overall Width (Chute Up)	1227.0 mm
(C) Overall Width (Chute Down)	1577.0 mm
(D) Cutting Height	38 - 114 mm
(E) Wheelbase	1168.0 mm
(F) Cutting Width	914.0 mm
(G) Blade Length	16 in

WB700 – 48”**Engine**

Model	Kaw FS541V
Engine power	11.1 kW
Displacement	603 cm ³
Fuel Capacity	18.90 L
Air Filter	Dual Element

Electrical

Charging System	15 A
Clutch	467 N

Deck

Mower Deck	TufDeck Cutting System
Width	1219.0 mm
Adjustable Anti-Scalp Rollers	3.0
Cutting Height	38.0-114.0 mm
Blade Tip Speed	74.7 mps @ 3550 Engine rpm
Discharge Chute	Flexible Molded Polymer

Frame

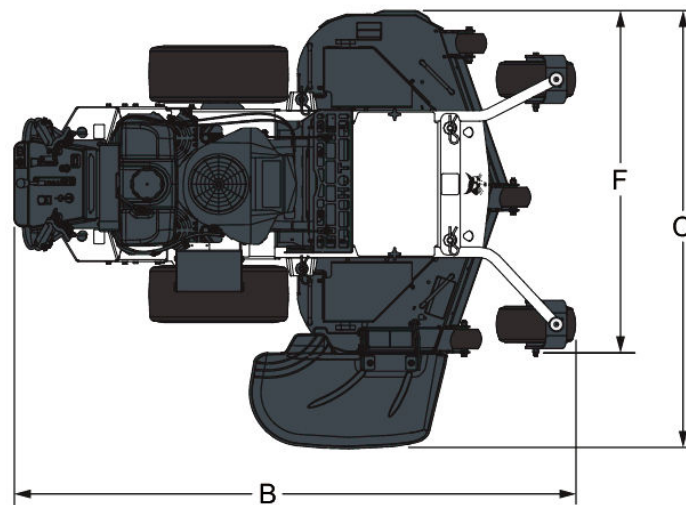
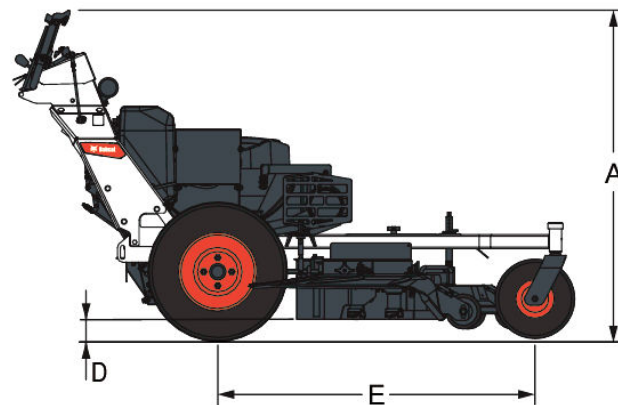
Front and Rear	1.5- x 2.5-inch Steel Tubing; Welded Steel Reinforced Frame
Machine Length	1981.0 mm
Machine Weight	357 kg

Transmission

Type	HG ZT-2800 Hydrostatic Transaxles
Pump Displacement	10 cm ³
Oil Capacity	4.40 L
Forward Speed	10.5 km/h
Reverse Speed	4.8 km/h

Wheels

Drive Wheel Size	20 x 8
Front Caster Wheel Size	11 x 6 Semi-pneumatic
Caster Arm Attachment	Welded to Frame

WB700 – 52"
Dimensions


(A) Height (ROP's Up)	1105.0 mm
(B) Overall Length	1981.0 mm
(C) Overall Width (Chute Up)	1328.0 mm
(C) Overall Width (Chute Down)	1679.0 mm
(D) Cutting Height	38 - 114 mm
(E) Wheelbase	1168.0 mm
(F) Cutting Width	1321.0 mm
(G) Blade Length	18 in

WB700 – 52”**Engine**

Model	Kaw FS600V
Engine power	13.7 kW
Displacement	603 cm ³
Fuel Capacity	18.90 L
Air Filter	Dual Element

Electrical

Charging System	15 A
Clutch	467 N

Deck

Mower Deck	TufDeck Cutting System
Width	1320.0 mm
Adjustable Anti-Scalp Rollers	3.0
Cutting Height	38.0-114.0 mm
Blade Tip Speed	82.8 mps @ 3550 Engine rpm
Discharge Chute	Flexible Molded Polymer

Frame

Front and Rear	1.5- x 2.5-inch Steel Tubing; Welded Steel Reinforced Frame
Machine Length	1981.0 mm
Machine Weight	377 kg

Transmission

Type	HG ZT-2800 Hydrostatic Transaxles
Pump Displacement	10 cm ³
Oil Capacity	4.40 L
Forward Speed	10.5 km/h
Reverse Speed	4.8 km/h

Wheels

Drive Wheel Size	20 x 8
Front Caster Wheel Size	11 x 6 Semi-pneumatic
Caster Arm Attachment	Welded to Frame